

PRODUCT INFORMATION PACKET

Model No: 143TTDR16045

Catalog No: GT4301

1 HP Close-Coupled Pump Motor, 3 phase, 1800 RPM, 200 V, 143JPV Frame, ODP
JP Motors



Nameplate Specifications

Output HP	1 Hp	Output KW	0.75 kW
Frequency	60 Hz	Voltage	200 V
Current	3.5 A	Speed	1760 rpm
Service Factor	1.15	Phase	3
Efficiency	85.5 %	Power Factor	71
Duty	Continuous	Insulation Class	F
Design Code	B	KVA Code	N
Frame	143JPV	Enclosure	Drip Proof
Thermal Protection	No	Ambient Temperature	40 °C
Drive End Bearing Size	6206	Opp Drive End Bearing Size	6203
UL	Recognized	CSA	Y
CE	Y	IP Code	22

Technical Specifications

Electrical Type	Squirrel Cage Inverter Rated	Starting Method	Line Or Inverter
Poles	4	Rotation	Reversible
Resistance Main	13.6 Ohms	Mounting	Round
Motor Orientation	Horizontal Or Shaft Down	Drive End Bearing	Ball
Opp Drive End Bearing	Ball	Frame Material	Rolled Steel
Shaft Type	JP	Overall Length	18.48 in
Frame Length	9.06 in	Shaft Diameter	0.875 in
Shaft Extension	7.31 in	Assembly/Box Mounting	F1 ONLY
Connection Drawing	A-EE7300	Outline Drawing	A-100231-906

This is an uncontrolled document once printed or downloaded and is subject to change without notice. Date Created:20/01/2021

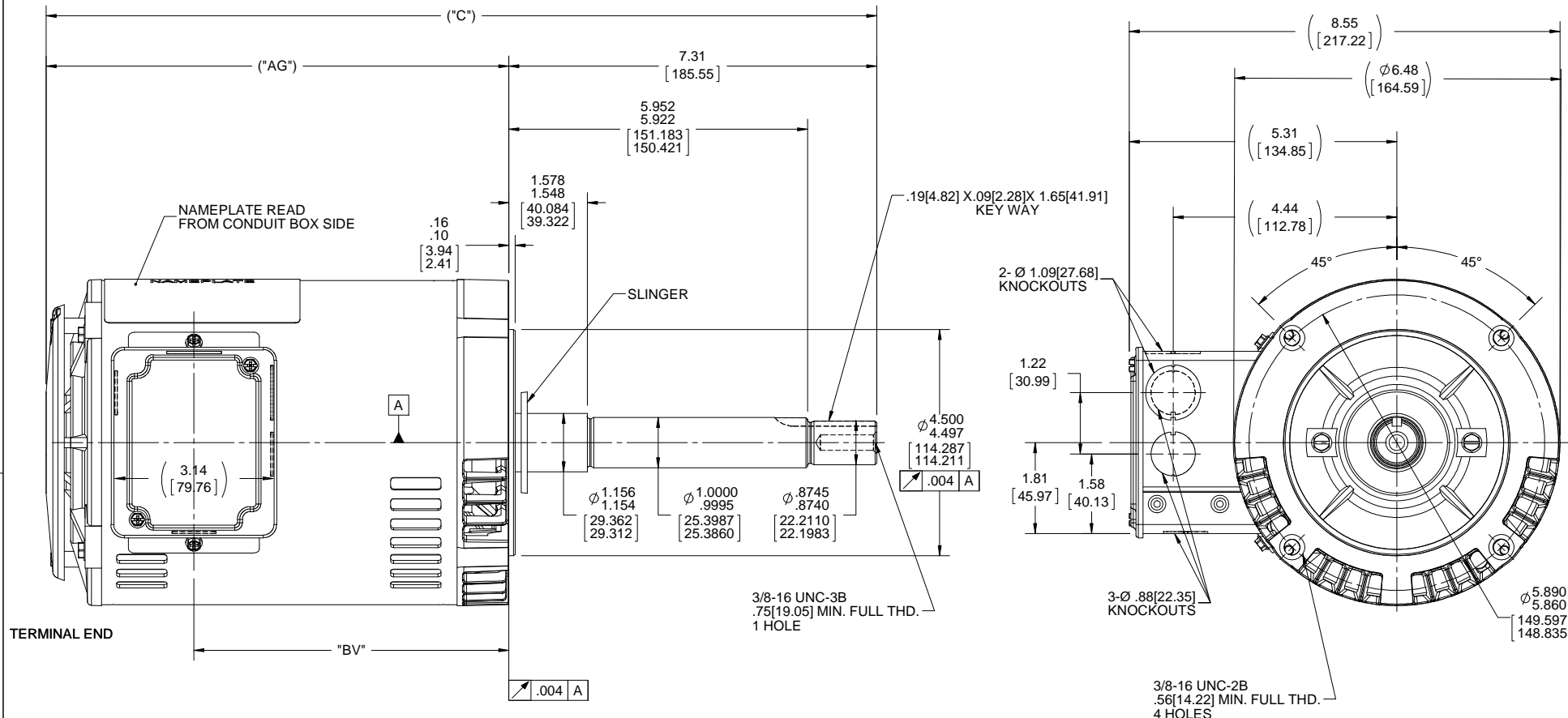
4

3

Uncontrolled Copy

2

1



NOTE: CONDUIT BOX CAN BE ROTATED IN 180° STEPS.

DASH NO.	"C"	"AG"	"BV"
656	15.99[406.14]	8.69[220.72]	5.75[146.05]
706	16.49[418.84]	9.19[233.42]	6.25[158.75]
756	16.99[431.54]	9.69[246.12]	6.75[171.45]
806	17.49[444.24]	10.19[258.82]	7.25[184.15]
856	17.99[456.94]	10.69[271.52]	7.75[196.85]
906	18.49[469.64]	11.19[284.22]	8.25[209.55]

DRAWING REVISION H	REVISION BY A. KEETHA	DATE 02/12/2018
ECO ECO-0143026	APPROVED BY PST	DATE 04/11/2018
ECO DESCRIPTION OUTLINE CONVERSION PROJECT		
<small>COPYRIGHT REGAL BELOIT AMERICA, INC. ALL RIGHTS RESERVED. PROPRIETARY AND CONFIDENTIAL INFORMATION - THIS DOCUMENT IS THE PROPERTY OF REGAL BELOIT AMERICA, INC. ("OWNER") AND CONTAINS OWNER'S PROPRIETARY INFORMATION. ANY PERSON, CORPORATION OR OTHER FIRM RECEIVING IT IS DEEMED, BY RECEIVING IT, TO AGREE THAT IT, AND/OR ANY PART OF IT, SHALL NOT BE DISCLOSED TO ANY PERSON, CORPORATION OR OTHER ENTITY, DUPLICATED, AND/OR USED, EXCEPT AS EXPRESSLY APPROVED IN WRITING IN ADVANCE BY OWNER. THIS DOCUMENT SHALL BE RETURNED TO OWNER UPON REQUEST. IT MAY BE SUBJECT TO CERTAIN RESTRICTIONS UNDER APPLICABLE EXPORT CONTROL LAWS AND REGULATIONS.</small>		

TOLERANCES UNLESS OTHERWISE SPECIFIED:		
DEC.	INCH	mm
.X	+0.1	[+2.5]
.XX	+0.03	[+0.76]
.XXX	+0.005	[+0.127]
.XXXX	+0.0005	[+0.0127]
REMOVE BURRS & BREAK SHARP EDGES: .003/.015 [.076/.381] X 45°		
CORNER FILLETS: R.02 [.51]		
MACHINED SURFACES: 200 INCH / mm 5.1		
mm SHOWN IN [BRACKETS]		

DRAWN BY BRH
DATE 10-24-1995
APPROVED BY GK
DATE 11-16-1995
REFERENCE 100231
THIRD ANGLE PROJECTION

Regal Beloit America, Inc.	
DESCRIPTION OUTLINE 140 FRAME-BB-DR.PR-3Ø-C'FACE-JP EXT	
MATERIAL	PROCESS/FINISH
SIZE B	DRAWING NUMBER 100231
SHEET 1 OF 1	

**THREE PHASE - SINGLE VOLTAGE
MOTOR - CONDUIT BOX @ 'A'**

**TO REVERSE ROTATION:
INTERCHANGE ANY TWO
LINE LEAD CONNECTIONS.**

TERMINAL BLOCK WHEN SPECIFIED



VIEW OF TERMINAL END

**IF MOTOR HAS
6 LEADS**



A-9806 DECAL

**OPTIONAL CORD
CONNECTION**



DRAWING REVISION AB	REVISION BY JJB	DATE 06-27-2017
ECO ECO-0125361	APPROVED BY TB	DATE 06-27-2017
ECO DESCRIPTION UPDATED TO CURRENT STANDARDS		
<small>COPYRIGHT REGAL BELOIT AMERICA, INC. ALL RIGHTS RESERVED. PROPRIETARY AND CONFIDENTIAL INFORMATION - THIS DOCUMENT IS THE PROPERTY OF REGAL BELOIT AMERICA, INC. ("OWNER") AND CONTAINS OWNER'S PROPRIETARY INFORMATION. ANY PERSON, CORPORATION OR OTHER FIRM RECEIVING IT IS DEEMED, BY RECEIVING IT, TO AGREE THAT IT, AND/OR ANY PART OF IT, SHALL NOT BE DISCLOSED TO ANY PERSON, CORPORATION OR OTHER ENTITY, DUPLICATED, AND/OR USED, EXCEPT AS EXPRESSLY APPROVED IN WRITING IN ADVANCE BY OWNER. THIS DOCUMENT SHALL BE RETURNED TO OWNER UPON REQUEST. IT MAY BE SUBJECT TO CERTAIN RESTRICTIONS UNDER APPLICABLE EXPORT CONTROL LAWS AND REGULATIONS.</small>		



DRAWN BY DA
DATE 03-26-1993
APPROVED BY TB
DATE 03-26-1993
REFERENCE
THIRD ANGLE PROJECTION

Regal Beloit America, Inc.	
DESCRIPTION CONNECTION DIAGRAM EXTERNAL - SINGLE VOLTAGE - 3Ø MOTOR	
MATERIAL	PROCESS/FINISH
SIZE A	DRAWING NUMBER EE7300
SHEET 1 OF 1	

CERTIFICATION DATA SHEET

Model#: 143TTDR16045 AA WINDING#: ZT4259 NONE 8
 CONN. DIAGRAM: A-EE7300 ASSEMBLY: F1 ONLY
 OUTLINE: A-100231-906

TYPICAL MOTOR PERFORMANCE DATA

HP	KW	SYNC. RPM	F.L. RPM	FRAME	ENCLOSURE	KVA CODE	DESIGN
1	.75	1800	1760	143JPV	DP	N	B

PH	Hz	VOLTS	FL AMPS	START TYPE	DUTY	INSL	S.F	AMB°C	ELEVATION
3	60	200	3.45	LINE OR INVERTER	CONTINUOUS	F3	1.15	40	3300

FULL LOAD EFF: 85.5	3/4 LOAD EFF: 84.6	1/2 LOAD EFF: 81.3	GTD. EFF	ELEC. TYPE	NO LOAD AMPS
FULL LOAD PF: 71	3/4 LOAD PF: 62.6	1/2 LOAD PF: 49.8	82.5	SQ CAGE INV RATED	2.3

F.L. TORQUE	LOCKED ROTOR AMPS	L.R. TORQUE	B.D. TORQUE	F.L. RISE°C
3 LB-FT	33.4	11.2 LB-FT 373	15.4 LB-FT 513	21

SOUND PRESSURE @ 3 FT.	SOUND POWER	ROTOR WK^2	MAX. WK^2	SAFE STALL TIME	STARTS /HOUR	APPROX. MOTOR WGT
56 dBA	66 dBA	0.117 LB-FT^2	10 LB-FT^2	20 SEC.	2	0 LBS.

***** SUPPLEMENTAL INFORMATION *****

DE BRACKET TYPE	ODE BRACKET TYPE	MOUNT TYPE	ORIENTATION	SEVERE DUTY	HAZARDOUS LOCATION	DRIP COVER	SCREENS	PAINT
C-FACE	STANDARD	ROUND	HORIZONTAL OR SHAFT DOWN	FALSE	NONE	TRUE	NONE	BLUE (POWDER)

BEARINGS		GREASE	SHAFT TYPE	SPECIAL DE	SPECIAL ODE	SHAFT MATERIAL	FRAME MATERIAL
DE	OPE	POLYREX EM	JP	NONE	NONE	1144 STRESSPROOF (C-223)	ROLLED STEEL
BALL	BALL						
6206	6203						

THERMO-PROTECTORS				THERMISTORS	CONTROL	SPACE /n HEATERS
THERMOSTATS	PROTECTORS	WDG RTDs	BRG RTDs	NONE	FALSE	NONE VOLTS
NONE	NOT	NONE	NONE			

If Inverter equals NONE, contact factory for further information

INVERTER TORQUE: CONSTANT 2:1 INV. HP SPEED RANGE: NONE
ENCODER: NONE NONE NONE NONE NONE PPR
BRAKE: NONE NONE NONE P/N NONE NONE NONE - FT-LB NONE V NONE Hz

*
N
O
T
E
S
*

DATE: 06/22/2017 07:30:48 AM
 FORM 3531 REV.3 02/07/99
 ** Subject to change without notice.

Data Sheet

143TDR16045



Date: 6/19/2017
 Customer:
 Attention:
 Submitted by: FAREEDA DUDEKULA

Submission
 Data @ 200 V

Load	Motor Load Data						
	0%	25%	50%	75%	100%	115%	125%
Current (Amps)	2.25	2.37	2.65	3.0	3.5	3.8	4.1
Torque (ft-lb)	0.00	0.73	1.47	2.22	3.0	3.4	3.7
RPM	1800	1790	1781	1772	1760	1755	1751
Efficiency (%)		71.3	81.3	84.6	85.5	85.7	85.5
P.F. (%)	11.1	31.8	49.8	62.6	71.0	75.1	77.3

Motor Speed Data					
	LR	Pull-Up	BD	Rated	Idle
Speed (rpm)	0	120	1285	1760	1800
Current (Amps)	33.4	29.9	22.5	3.5	2.25
Torque (ft-lb)	11.2	10.0	15.4	3.0	0.00

Information Block				
HP	1.0			
Sync. RPM	1800			
Frame	143			
Enclosure	DP			
Construction	TDR			
Voltage	200 V			
Frequency	60 HZ			
Design	A			
LR Code letter	N			
Service Factor	1.15			
Temp Rise @ FL	21 °C			
Duty	CONT			
Ambient	40 °C			
Elevation	1,000 feet			
Rotor/Shaft wkt	0.12 Lb-Ft			
Rel Wdg	Z14259 NONE			
Sound Pressure @ 1M	56 dBA			
VFD Rating	CONSTANT 2:1			
Outline Dwg	A-100231-906			
Conn. Diag	A-EEZ300			
Additional Specifications:				
0				
EQUIV CKT (OHMS / PHASE)				
R1	R2	X1	X2	Xm
0.0000	0.0000	0.0000	0.0000	0.0000

